

MVAF6K0-102

V1.0

6000W interior Permanent Magnet Synchronous Motor

The MVAF6K0-102 is a 3-phase IPMSM (Interior Permanent Magnet Synchronous Motor) that provides 6000W power and features a compact size of 243.00mm x 185.66mm x 157.40mm and a weight of 10.5 KG. All units pass run-in test at full load condition.



FEATURES:

- Operating Voltage: 0 to 39 VAC
- Rated Output Power: 3900W
- Max. Torque: 78N.m
- Peak Power: 6000W
- CNS 8886: NSS 48Hr RN7
- Protection: Winding and Case OTP
- Patent No.: M612849
- 2-Year, 20000KM Warranty

APPLICATIONS:



GENERAL SPECIFICATION:

- **Cooling:** Air Cooled
- **Waterproof Rating:** IP67
- **Note:** It is normal for a minor amount of water to enter the product; however, the operational performance of the product remains unaffected under such circumstances.

SPECIFICATION:

MODEL NO.	Current		Output Torque		Output Power		Total Regulation
	Imax		Rated	Max.	Rated	Max.	
	(A)		(N.m)		(W)		
MVAF6K0-102	160			78	3900	6000	±5

Electrical Characteristics & Mechanical Characteristics :

Characteristic	Condition	Min.	Rated	Max.	Unit
Input Operating Voltage Range	3 Phase	0		39	VAC
Output Power Range	See Specification		3900	6000	W
Input Current	Full Load, Vin=0-39VAC			160	A
Stator Insulation				H	Class
Output Torque	0-833RPM			78	N.m
Revolution Per Minute				3100	RPM
Dielectric Withstanding Voltage (P-G)	Primary to Chassis, 3 Sec.			1800	VAC
Insulation Resistance	Primary to Chassis, 500VDC, 3 Sec.	100			Mohm

Environmental:

Characteristic	Condition	Min.	Typ.	Max.	Unit
Operating Temperature	Case Temperature	-10		55	°C
Storage Temperature		-10		80	°C
Operating Humidity	Non-Condensing	0		95%	RH
Storage Humidity		0		95%	RH

MVAF6K0-102

V1.0

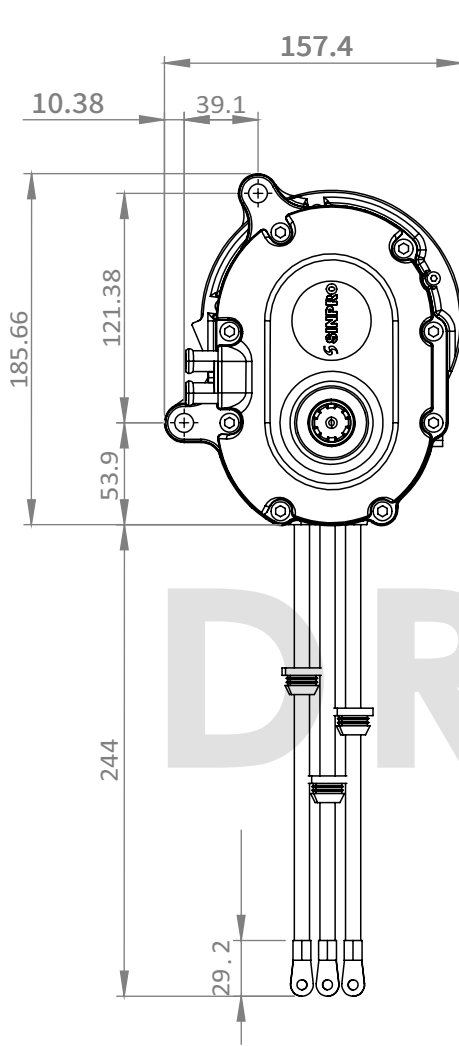
6000W interior Permanent Magnet Synchronous Motor

SPECIFICATION NOTE :

1. Reduction Ratio: 3:1
2. Only Use Coolant for the Air Cooler.

Mechanical Dimensions: (UNIT: mm)

2 Lifting Points



3 Lifting Points

